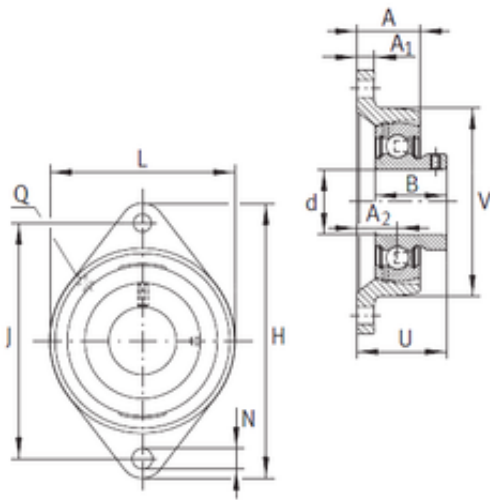




# NACHI BEARINGS TRAINING INDUSTRY



## INA PCJTY12 bearing units

Bearing No. PCJTY12

Bore Diameter	12 mm
d	12 mm
V	57 mm
U	33 mm
Thread (Q)	M6
A	25 mm
A1	9,5 mm
B	22 mm
H	99 mm
J	76,5 mm
L	57 mm
N	11,5 mm
A2	17 mm
Weight	0,35 Kg
Basic dynamic load rating (C)	9,8 kN
Category	Bearings
Inventory	0.0
Manufacturer Name	SCHAEFFLER GROUP
Minimum Buy Quantity	N/A
Weight / Kilogram	0.41
Product Group	M06110

PCJTY12 Bearing 2D drawings and 3D CAD models