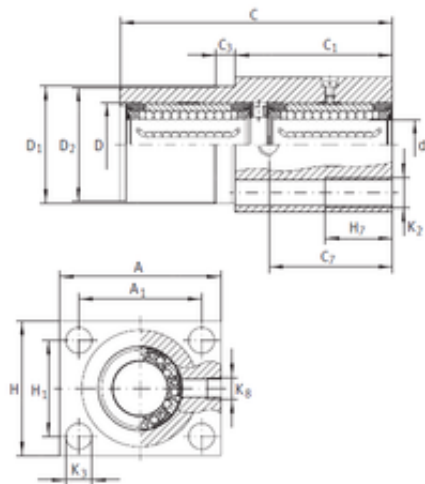




NACHI BEARINGS TRAINING INDUSTRY



INA KTFN 16 C-PP-AS linear bearings

Bearing No. KTFN 16 C-PP-AS

Bore Diameter	16 mm
Outer Diameter	26 mm
d	16 mm
D	26 mm
C7	39 mm
H7	18 mm
K8	6,6 mm
Thread (K2)	M8
Thread (K8)	M8X1
C3	10 mm
A	50 mm
A1	38 mm
C	78 mm
C1	50 mm
D1	35 mm
D2	34,8 mm
H	40 mm
H1	28 mm
Weight	0,3 Kg
Basic dynamic load rating (C)	1,62 kN

KTFN 16 C-PP-AS Bearing 2D drawings and 3D CAD models