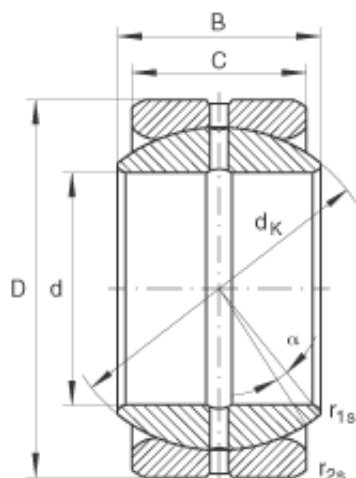




NACHI BEARINGS TRAINING INDUSTRY



INA GE57-ZO plain bearings

Bearing No. GE57-ZO

Size	57.15x90.488x50.013 mm
Bore Diameter	57,15 mm
Outer Diameter	90,488 mm
Width	50,013 mm
C	42,85 mm
D _{a min}	73 mm
d _{a max}	64,9 mm
d _k	82 mm
r _{1s min}	0,6 mm
r _{2s min}	1 mm
alf (°)	6
Weight (kg)	1,6
C _r (N)	281000
C _{0r} (N)	844000
Category	Spherical Plain Bearings - Radial
Inventory	0.0
Manufacturer Name	SCHAEFFLER GROUP
Minimum Buy Quantity	N/A
Weight / Kilogram	1.324
Product Group	B04264
Self Aligning	Yes
Rolling Element	Spherical Plain
Material - Outer Member	Steel
Material - Ball	Steel
Material - Liner	Not Applicable

GE57-ZO Bearing 2D drawings and 3D CAD models



NACHI BEARINGS TRAINING INDUSTRY

Relubricatable	Yes
Enclosure	Open
Other Features	2 Piece Single Axial Split in Outer Ring
Long Description	2-1/4" Bore; 1-11/16" Housing Width; 3-9/16" Outside Diameter; Steel Outer Member; Steel Ball; No Liner; 1-31/32" Overall Width; Relubricatable
Inch - Metric	Inch
Category	Plain Bearings Spherical Radial
UNSPSC	31171515
Harmonized Tariff Code	8483.30.80.70
Noun	Bearing
Keyword 3	Spherical
Keyword String	Plain Spherical Radial
Manufacturer URL	http://www.ina.com
Manufacturer Item Number	GE57ZOHLG
Weight / LBS	2.92
Outside Diameter	3.563 Inch 90.5 Millimeter
Housing Width	1.688 Inch 42.875 Millimeter
Overall Width	1.969 Inch 50.013 Millimeter
Bore	2.25 Inch 57.15 Millimeter