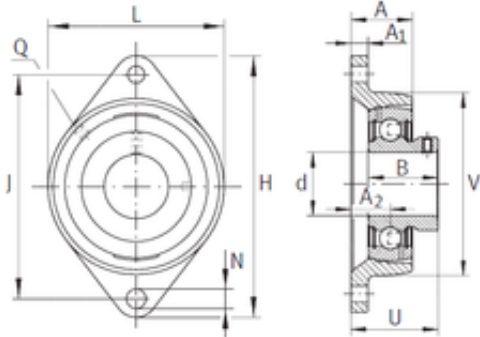




# NACHI BEARINGS TRAINING INDUSTRY

## INA PCJTY1-1/4 bearing units



Bearing No. PCJTY1-1/4

Bore Diameter	31.75 mm
d	31.75 mm
V	92,507 mm
U	46,507 mm
Thread (Q)	1/8 NPT
A	34,493 mm
A1	13,995 mm
B	35,001 mm
H	156,007 mm
J	129,997 mm
L	92,507 mm
N	13,995 mm
A2	21,006 mm

PCJTY1-1/4 Bearing 2D drawings and 3D CAD models