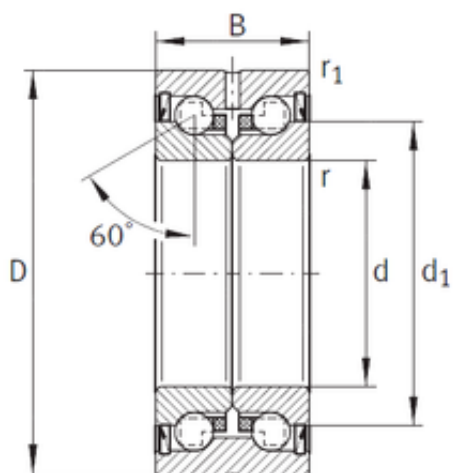




# NACHI BEARINGS TRAINING INDUSTRY



17 mm x 47 mm x 25 mm INA ZKLN1747-2RS thrust ball bearings

Bearing No. ZKLN1747-2RS

ZKLN1747-2RS Bearing 2D drawings and 3D CAD models

Size	17x47x25 mm
Bore Diameter	17 mm
Outer Diameter	47 mm
Width	25 mm
d	17 mm
D	47 mm
B	25 mm
C	25 mm
Angle (?)	60 °
d1	30 mm
r min.	0,3 mm
r1 min.	0,6 mm
Weight	0,22 Kg
Basic dynamic load rating (C)	18,8 kN
Basic static load rating (C0)	31 kN
Category	Angular Contact Ball Bearings
Inventory	0.0
Manufacturer Name	SCHAEFFLER GROUP
Minimum Buy Quantity	N/A
Weight / Kilogram	0.263
EAN	4012802078961
Product Group	L00220
Enclosure	2 Seals
Flush Ground	No



## NACHI BEARINGS TRAINING INDUSTRY

Rolling Element	Ball Bearing
Number of Rows of Balls	Double Row
Precision Class	ABEC 1   ISO P0
Maximum Capacity / Filling Slot	No
Snap Ring	No
Cage Material	Plastic
Contact Angle	60 Degree
Internal Clearance	C0-Medium
Number of Bearings	1 (Single)
Inch - Metric	Metric
Long Description	17MM Bore; 47MM Outside Diameter; 25MM Width; 2 Seals; No Flush Ground; Ball Bearing; Double Row of Balls; ABEC 1   ISO P0; No Filling Slot; No Snap Ring; C0-Medium; Plastic Cage; 60 Degree; 1 (Single)
Other Features	With Fixing Holes
Category	Angular Contact Ball Bearing
UNSPSC	31171531
Harmonized Tariff Code	8482.10.50.28
Noun	Bearing
Keyword String	Angular Contact
Manufacturer URL	<a href="http://www.ina.com">http://www.ina.com</a>
Manufacturer Item Number	ZKLN1747-2RS
Weight / LBS	0.5808
Bore	0.669 Inch   17 Millimeter
Width	0.984 Inch   25 Millimeter
Outside Diameter	1.85 Inch   47 Millimeter