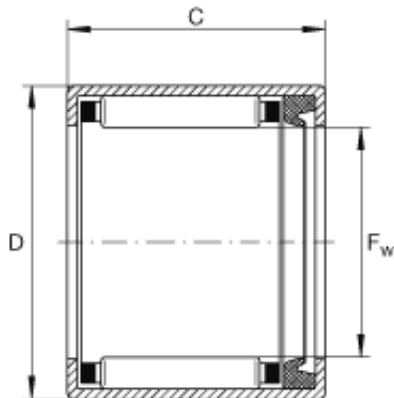




# NACHI BEARINGS TRAINING INDUSTRY



## INA SCE86-P needle roller bearings

Bearing No. SCE86-P

SCE86-P Bearing 2D drawings and 3D CAD models

|                      |  |
|----------------------|--|
| Size                 | 12.7x17.462x9.525 mm                   |
| Bore Diameter        | 12,7 mm                                |
| Outer Diameter       | 17,462 mm                              |
| Width                | 9,525 mm                               |
| F <sub>w</sub>       | 1/2 inch                               |
| F <sub>w</sub>       | 12,7 mm                                |
| D                    | 0,688 inch                             |
| D                    | 17,462 mm                              |
| C                    | 0,375 inch                             |
| C                    | 9,525 mm                               |
| m                    | 0,02 lbs / Weight                      |
| m                    | 9 g / Weight                           |
| C <sub>r</sub>       | 820 lbf / Dynamic load rating (radial) |
| C <sub>r</sub>       | 3650 N / Dynamic load rating (radial)  |
| C <sub>0r</sub>      | 890 lbf / Static load rating (radial)  |
| C <sub>0r</sub>      | 3950 N / Static load rating (radial)   |
| n <sub>G</sub>       | 19500 1/min / Limiting speed           |
| n <sub>B</sub>       | 14500 1/min / Reference speed          |
| Category             | Roller Bearings                        |
| Inventory            | 0.0                                    |
| Manufacturer Name    | SCHAEFFLER GROUP                       |
| Minimum Buy Quantity | N/A                                    |



## NACHI BEARINGS TRAINING INDUSTRY

|                   |        |
|-------------------|--------|
| Weight / Kilogram | 0.011  |
| Product Group     | B04144 |