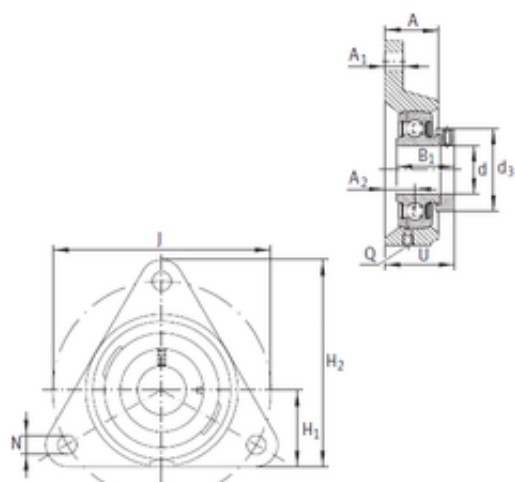




# NACHI BEARINGS TRAINING INDUSTRY



## INA PCFTR25 bearing units

Bearing No. PCFTR25

|                               |                                |
|-------------------------------|--------------------------------|
| Bore Diameter                 | 25 mm                          |
| d                             | 25 mm                          |
| U                             | 36 mm                          |
| Thread (Q)                    | Rp1/8                          |
| d3                            | 37,5 mm                        |
| A                             | 22 mm                          |
| A1                            | 12 mm                          |
| B1                            | 31 mm                          |
| H1                            | 36 mm                          |
| H2                            | 97 mm                          |
| J                             | 96 mm                          |
| N                             | 11,5 mm                        |
| A2                            | 12,5 mm                        |
| Weight                        | 0,71 Kg                        |
| Basic dynamic load rating (C) | 14 kN                          |
| Category                      | Flange Block Bearings          |
| Inventory                     | 0.0                            |
| Manufacturer Name             | SCHAEFFLER GROUP               |
| Minimum Buy Quantity          | N/A                            |
| Weight / Kilogram             | 0.71                           |
| EAN                           | 4012802791037                  |
| Product Group                 | M06110                         |
| Number of Mounting Holes      | 3                              |
| Mounting Method               | Eccentric Collar               |
| Housing Style                 | 3 Bolt Triangular Flange Block |

PCFTR25 Bearing 2D drawings and 3D CAD models



## NACHI BEARINGS TRAINING INDUSTRY

|                                    |  |
|------------------------------------|--|
| Rolling Element                    | Ball Bearing   |
| Housing Material                   | Cast Iron  |
| Expansion / Non-expansion          | Non-expansion  |
| Mounting Bolts                     | 11.5 Millimeter  |
| Relubricatable                     | Yes  |
| Insert Part Number                 | GRAE25NPPB   |
| Seals                              | Double Lip Contact   |
| Housing Configuration              | 1 Piece Solid  |
| Pilot Configuration                | No Pilot   |
| Inch - Metric                      | Metric   |
| Long Description                   | 3 Bolt Triangular Flange Block; 25MM Bore; 96MM Bolt Circle; 84.9MM Bolt Spacing; 1 Piece Solid; Eccentric Collar Mount; Cast Iron; Ball Bearing; 31MM Length Thru Bore; Relubricatable; Double Lip Cont |
| Other Features                     | Single Row   With Set Screw  |
| Category                           | Flange Block   |
| UNSPSC                             | 31171501   |
| Harmonized Tariff Code             | 8483.20.40.40  |
| Noun                               | Bearing  |
| Keyword String                     | Flanged  |
| Manufacturer URL                   | <a href="http://www.ina.com">http://www.ina.com</a>  |
| Manufacturer Item Number           | PCFTR25  |
| Weight / LBS                       | 1.565  |
| Bolt Spacing                       | 3.3 Inch   84.9 Millimeter   |
| Nominal Bolt Circle Diameter Round | 3.8 Inch   96 Millimeter   |
| Bore                               | 0.984 Inch   25 Millimeter   |
| Cartridge Pilot Depth              | 0 Inch   0 Millimeter  |
| Cartridge Pilot Diameter           | 0 Inch   0 Millimeter  |
| Length Thru Bore                   | 1.22 Inch   31 Millimeter  |



# NACHI BEARINGS TRAINING INDUSTRY