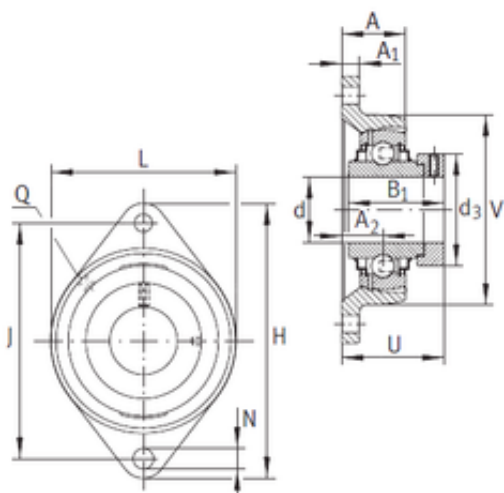




# NACHI BEARINGS TRAINING INDUSTRY

## INA LCJT25-N bearing units



LCJT25-N Bearing 2D drawings and 3D CAD models

Bearing No. LCJT25-N

Bore Diameter	25 mm
d	25 mm
V	70 mm
U	46 mm
Thread (Q)	Rp1/8
d3	37,5 mm
A	26,5 mm
A1	11 mm
B1	44,5 mm
H	124 mm
J	99 mm
L	70 mm
N	11,5 mm
A2	19 mm
Weight	0,62 Kg
Basic dynamic load rating (C)	14 kN
Category	Flange Block Bearings
Inventory	0.0
Manufacturer Name	SCHAEFFLER GROUP
Minimum Buy Quantity	N/A
Weight / Kilogram	0.778
Product Group	M06110
Number of Mounting Holes	2
Mounting Method	Eccentric Collar
Housing Style	2 Bolt Flange Block
Rolling Element	Ball Bearing



## NACHI BEARINGS TRAINING INDUSTRY

Housing Material	Cast Iron
Expansion / Non-expansion	Non-expansion
Mounting Bolts	11.5 Millimeter
Relubricatable	Yes
Insert Part Number	GE25-KLLHB
Seals	Double Labyrinth
Housing Configuration	1 Piece Solid
Pilot Configuration	No Pilot
Inch - Metric	Metric
Long Description	2 Bolt Flange Block; 25MM Bore; 99MM Bolt Circle; 99MM Bolt Spacing; 1 Piece Solid; Eccentric Collar Mount; Cast Iron; Ball Bearing; 44.4MM Length Thru Bore; Relubricatable; Double Labyrinth Seal
Other Features	Single Row   Radial   Metric   With Set Screw
Category	Flange Block
UNSPSC	31171501
Harmonized Tariff Code	8483.20.40.40
Noun	Bearing
Keyword String	Flanged
Manufacturer URL	<a href="http://www.ina.com">http://www.ina.com</a>
Manufacturer Item Number	LCJT25
Weight / LBS	1.544
Cartridge Pilot Diameter	0 Inch   0 Millimeter
Length Thru Bore	1.748 Inch   44.4 Millimeter
Bolt Spacing	3.898 Inch   99 Millimeter
Bore	0.984 Inch   25 Millimeter
Nominal Bolt Circle Diameter Round	3.9 Inch   99 Millimeter