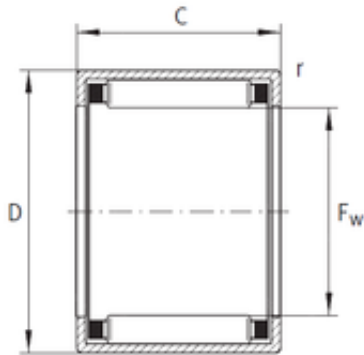




# NACHI BEARINGS TRAINING INDUSTRY

## INA SCE97 needle roller bearings



Bearing No. SCE97

Size	14.288x19.05x11.13 mm
Bore Diameter	14,288 mm
Outer Diameter	19,05 mm
Width	11,13 mm
Fw	14,288 mm
D	19,05 mm
C	11,13 mm
Weight	0,008 Kg
Basic dynamic load rating (C)	6,6 kN
Basic static load rating (C0)	8,8 kN

SCE97 Bearing 2D drawings and 3D CAD models