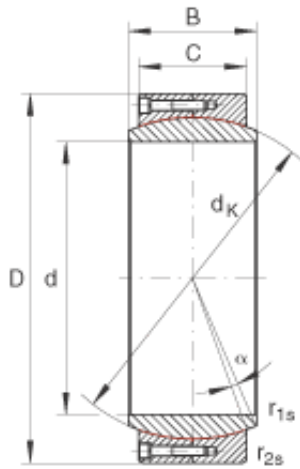




NACHI BEARINGS TRAINING INDUSTRY



INA GE500-DW plain bearings

Bearing No. GE500-DW

Size	500x670x230 mm
Bore Diameter	500 mm
Outer Diameter	670 mm
Width	230 mm
C	195 mm
$D_{a \min}$	557 mm
$d_{a \max}$	537,8 mm
d_K	585 mm
$r_{1s \min}$	2 mm
$r_{2s \min}$	5 mm
alf (°)	3,6
Weight (kg)	243
C_r (N)	34220000
C_{0r} (N)	57030000

GE500-DW Bearing 2D drawings and 3D CAD models