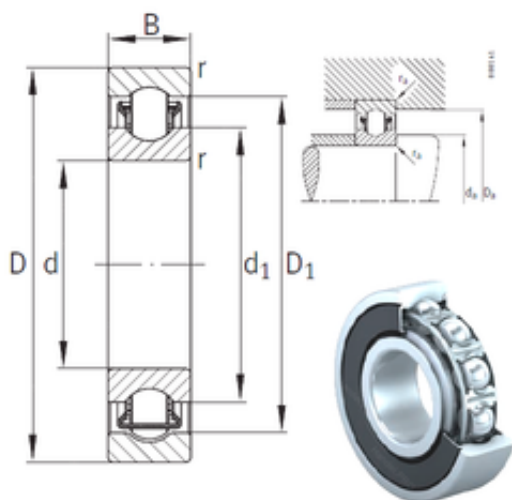




NACHI BEARINGS TRAINING INDUSTRY



35 mm x 80 mm x 21 mm INA BXRE307-2RSR
needle roller bearings

Bearing No. BXRE307-2RSR

Size	35x80x21 mm
Bore Diameter	35 mm
Outer Diameter	80 mm
Width	21 mm
d	35 mm
D	80 mm
B	21 mm
C	21 mm
d1	51,3 mm
r min.	1,5 mm
D1	66,8 mm
da min.	44 mm
Da max.	71 mm
ra max.	1,5 mm
Weight	0,493 Kg
Basic dynamic load rating (C)	50 kN
Basic static load rating (C0)	34 kN
Fatigue load limit (Pu)	1 730

BXRE307-2RSR Bearing 2D drawings and 3D CAD models