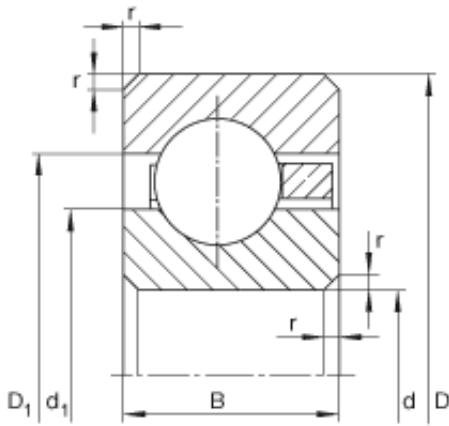




NACHI BEARINGS TRAINING INDUSTRY

10 inch x 292,1 mm x 19,05 mm INA CSCF100 deep groove ball bearings

Bearing No. CSCF100



CSCF100 Bearing 2D drawings and 3D CAD models

Size	254x292.1x19.05 mm
Bore Diameter	254 mm
Outer Diameter	292,1 mm
Width	19,05 mm
d	254 mm
d	10 inch
D	292,1 mm
B	19,05 mm
D ₁	278 mm
d ₁	268,1 mm
r _{min}	2 mm
m	1,95 kg / Weight
C _r	32500 N / Dynamic load rating (radial)
C _{0r}	48000 N / Static load rating (radial)