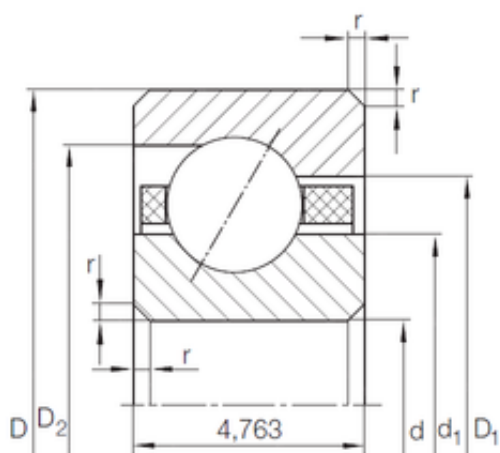




NACHI BEARINGS TRAINING INDUSTRY

25,4 mm x 34,925 mm x 4,763 mm INA CSEAA 010 TN angular contact ball bearings



Bearing No. CSEAA 010 TN

Size	25.4x34.925x4.763 mm
Bore Diameter	25,4 mm
Outer Diameter	34,925 mm
Width	4,763 mm
d	25,4 mm
D	34,925 mm
B	4,763 mm
C	4,763 mm
d1	29 mm
r min.	0,38 mm
D1	31,4 mm
D2	32,5 mm
Weight	0,01 Kg
Basic dynamic load rating (C)	1,87 kN
Basic static load rating (C0)	1,26 kN

CSEAA 010 TN Bearing 2D drawings and 3D CAD models