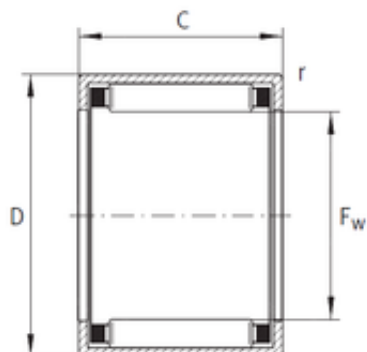




NACHI BEARINGS TRAINING INDUSTRY

INA HK 50x57x16 needle roller bearings



Bearing No. HK 50x57x16

Size	50x57x16 mm
Bore Diameter	50 mm
Outer Diameter	57 mm
Width	16 mm
Fw	50 mm
D	57 mm
C	16 mm
Weight	0,05 Kg
Basic dynamic load rating (C)	18,2 kN
Basic static load rating (C0)	36,5 kN

HK 50x57x16 Bearing 2D drawings and 3D CAD models