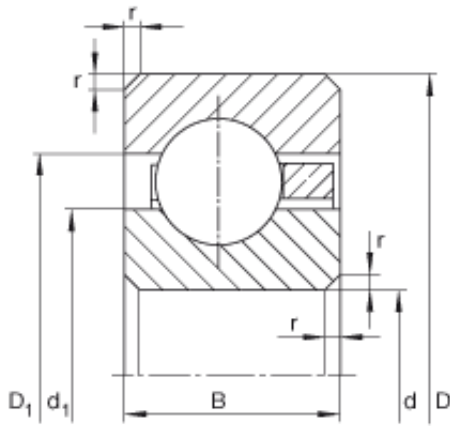




NACHI BEARINGS TRAINING INDUSTRY



6 1/2 inch x 190,5 mm x 12,7 mm INA
CSCD065 deep groove ball bearings

Bearing No. CSCD065

Size	165.1x190.5x12.7 mm
Bore Diameter	165,1 mm
Outer Diameter	190,5 mm
Width	12,7 mm
d	165,1 mm
d	6 1/2 inch
D	190,5 mm
B	12,7 mm
D ₁	181,1 mm
d ₁	174,5 mm
r _{min}	1,5 mm
m	0,55 kg / Weight
C _r	14700 N / Dynamic load rating (radial)
C _{0r}	19000 N / Static load rating (radial)

CSCD065 Bearing 2D drawings and 3D CAD models