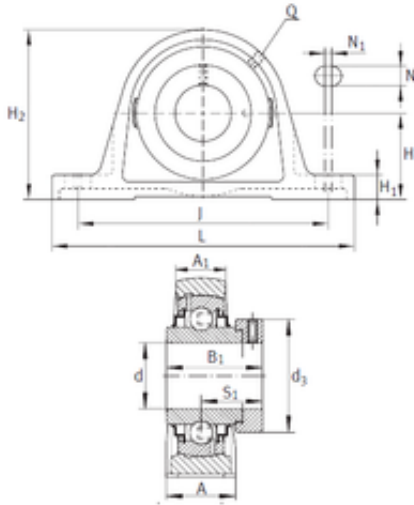




# NACHI BEARINGS TRAINING INDUSTRY



## INA RAK1-3/16 bearing units

Bearing No. RAK1-3/16

Bore Diameter	30,163 mm
d	30,163 mm
S1	30,201 mm
Thread (Q)	1/8 NPT
d3	43,993 mm
A	41,504 mm
A1	26,01 mm
B	48,489 mm
H	39,701 mm
H1	16,993 mm
H2	80,493 mm
J	117,247 mm
L	157,15 mm
N	15,012 mm
N1	8,459 mm
Category	Pillow Block Bearings
Inventory	0.0
Manufacturer Name	SCHAEFFLER GROUP
Minimum Buy Quantity	N/A
Weight / Kilogram	1.3
Product Group	M06110
Number of Mounting Holes	2
Mounting Method	Eccentric Collar
Housing Style	2 Bolt Pillow Block
Rolling Element	Ball Bearing
Housing Material	Cast Iron

RAK1-3/16 Bearing 2D drawings and 3D CAD models



## NACHI BEARINGS TRAINING INDUSTRY

Expansion / Non-expansion	Non-expansion
Relubricatable	Yes
Insert Part Number	G1103KRRB
Seals	Double Land Riding Rubber Contact
Housing Configuration	1 Piece Solid
Inch - Metric	Inch
Other Features	Single Row   Low Base   With Set Screw
Long Description	2 Bolt Pillow Block; 1-3/16" Bore; 1-9/16" Base to Center Height; Eccentric Collar Mount; Ball Bearing; 4.284" Minimum Bolt Spacing; 4.949" Bolt Spacing Maximum; Relubricatable; Ca
Category	Pillow Block
UNSPSC	31171511
Harmonized Tariff Code	8483.20.40.40
Noun	Bearing
Keyword String	Pillow Block
Manufacturer URL	<a href="http://www.ina.com">http://www.ina.com</a>
Manufacturer Item Number	RAK1-3/16
Weight / LBS	2.867
Nominal Bolt Center to Center	4.8 Inch   121 Millimeter
Bolt Spacing Minimum	4.284 Inch   108.814 Millimeter
Base to Center Height	1.563 Inch   39.7 Millimeter
Bore	1.188 Inch   30.175 Millimeter
Actual Bolt Center to Center	0 Inch   0 Millimeter
Length Thru Bore	1.906 Inch   48.42 Millimeter



# NACHI BEARINGS TRAINING INDUSTRY

Bolt Spacing Maximum	4.949 Inch   125.7Millimeter
----------------------	------------------------------