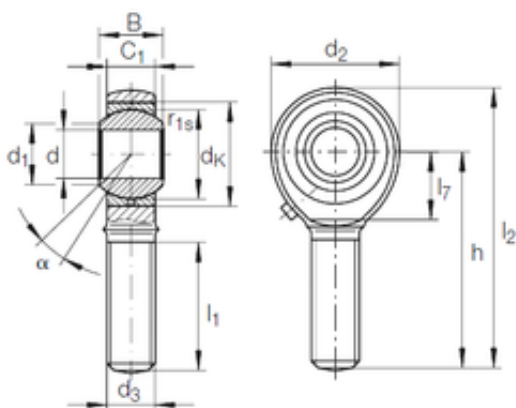




NACHI BEARINGS TRAINING INDUSTRY

8 mm x 19 mm x 12 mm INA GAKL 8 PB plain bearings

Bearing No. GAKL 8 PB



GAKL 8 PB Bearing 2D drawings and 3D CAD models

Size	8x19x12 mm
Bore Diameter	8 mm
Outer Diameter	19 mm
Width	12 mm
d	8 mm
D	19 mm
B	12 mm
d1	10,3 mm
d2	24 mm
dk	15,875 mm
h	42 mm
l1 min.	25 mm
l2 max.	54 mm
r1 min.	0,3 mm
C1	9 mm
Thread (G)	M8
Angle	14 °
Weight	0,038 Kg
Basic dynamic load rating (C)	7,2 kN