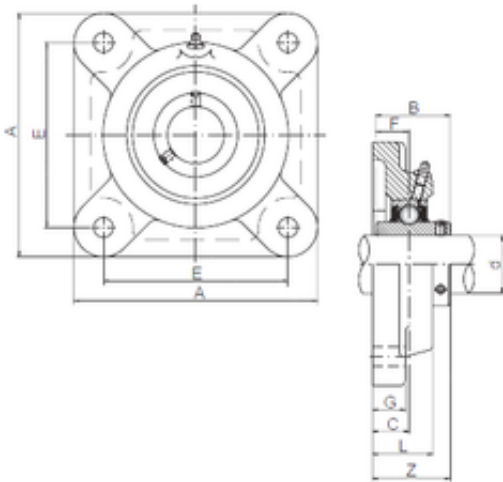




# NACHI BEARINGS TRAINING INDUSTRY



## ISO UCF215 bearing units

Bearing No. UCF215

Bore Diameter	75 mm
Width	77,8 mm
d	75 mm
Z	78,5 mm
A	200 mm
B	77,8 mm
C	34 mm
E	159 mm
F	33,3 mm
G	22 mm
L	56 mm
S	19 mm
Bolt (G)	M16

UCF215 Bearing 2D drawings and 3D CAD models