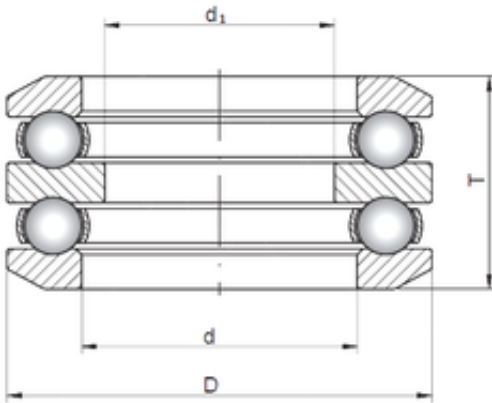




# NACHI BEARINGS TRAINING INDUSTRY

## ISO 54420 thrust ball bearings



Bearing No. 54420

Size	103x210x160 mm
Bore Diameter	103 mm
Outer Diameter	210 mm
Width	160 mm
$d$	103 mm
$d_1$	80 mm
$D$	210 mm
$T$	160 mm

54420 Bearing 2D drawings and 3D CAD models