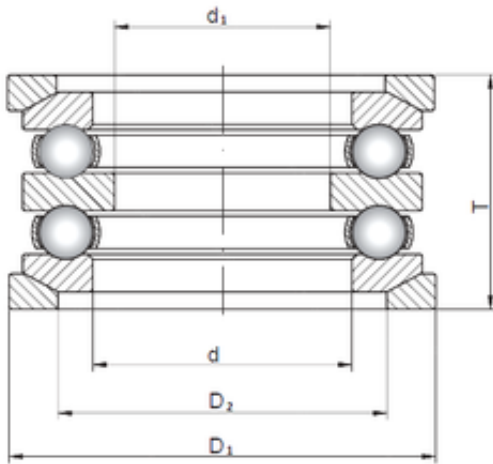




# NACHI BEARINGS TRAINING INDUSTRY

## ISO 54306U+U306 thrust ball bearings

Bearing No. 54306U+U306



Bore Diameter	32 mm
d	32 mm
d1	25 mm
D1	62 mm
D2	45 mm
T	46 mm

54306U+U306 Bearing 2D drawings and 3D CAD models