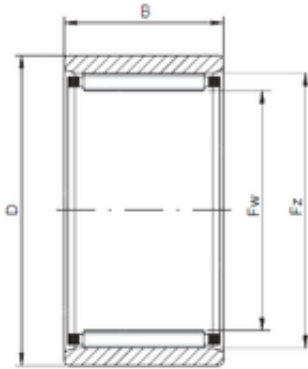




# NACHI BEARINGS TRAINING INDUSTRY

80 mm x 100 mm x 30 mm ISO  
RNAO80x100x30 cylindrical roller bearings



Bearing No. RNAO80x100x30

Size	80x100x30 mm
Bore Diameter	80 mm
Outer Diameter	100 mm
Width	30 mm
d	80 mm
Fw	80 mm
D	100 mm
Ew	88 mm
B	30 mm
C	30 mm

RNAO80x100x30 Bearing 2D drawings and 3D CAD models