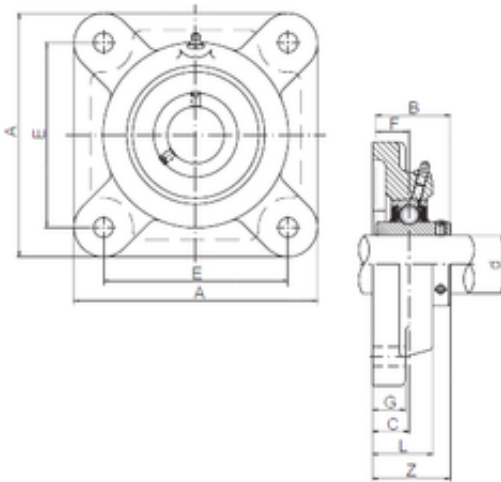




NACHI BEARINGS TRAINING INDUSTRY



ISO UCF201 bearing units

Bearing No. UCF201

| | |
|---------------|---------|
| Bore Diameter | 12 mm |
| Width | 31 mm |
| d | 12 mm |
| Z | 33,3 mm |
| A | 86 mm |
| B | 31 mm |
| C | 15 mm |
| E | 64 mm |
| F | 12,7 mm |
| G | 12 mm |
| L | 25,5 mm |
| S | 12 mm |
| Bolt (G) | M10 |

UCF201 Bearing 2D drawings and 3D CAD models