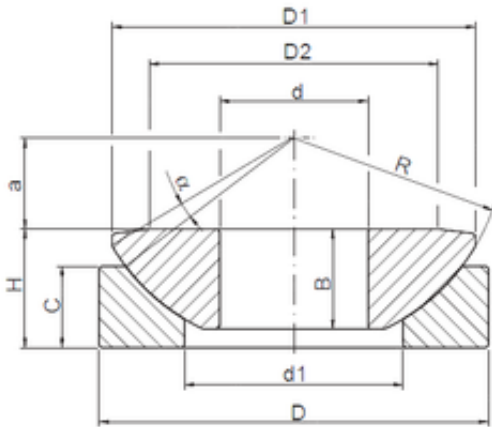




NACHI BEARINGS TRAINING INDUSTRY



340 mm x 540 mm x 105 mm ISO GW 340 plain bearings

Bearing No. GW 340

Size	340x540x116 mm
Bore Diameter	340 mm
Outer Diameter	540 mm
Width	116 mm
d	340 mm
D	540 mm
H	116 mm
a	95 mm
d1	380 mm
B	105 mm
C	91 mm
D1	510 mm
D2	432 mm
R	550 mm
Angle	4 °

GW 340 Bearing 2D drawings and 3D CAD models