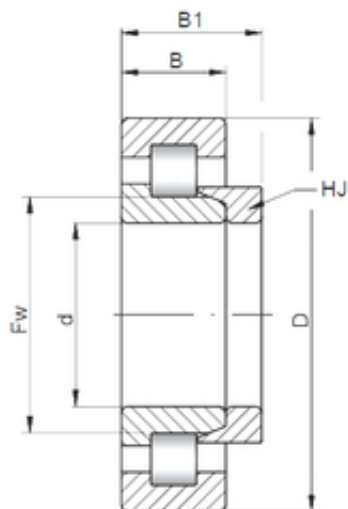




NACHI BEARINGS TRAINING INDUSTRY



65 mm x 120 mm x 31 mm ISO NH2213
cylindrical roller bearings

Bearing No. NH2213

Size	65x120x31 mm
Bore Diameter	65 mm
Outer Diameter	120 mm
Width	31 mm
d	65 mm
D	120 mm
B	31 mm
C	31 mm
B1	6 mm
B2	10,5 mm

NH2213 Bearing 2D drawings and 3D CAD models