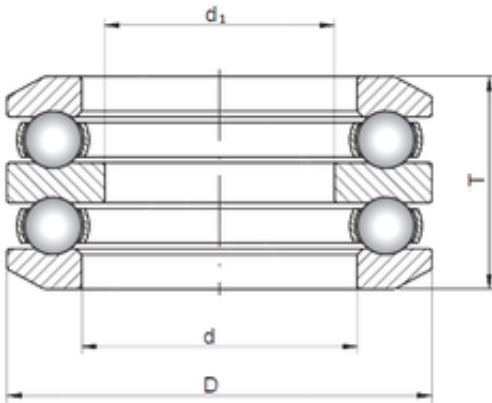




# NACHI BEARINGS TRAINING INDUSTRY

## ISO 54305 thrust ball bearings



Bearing No. 54305

Size	27x52x37.6 mm
Bore Diameter	27 mm
Outer Diameter	52 mm
Width	37,6 mm
d	27 mm
d1	20 mm
D	52 mm
T	37,6 mm

54305 Bearing 2D drawings and 3D CAD models