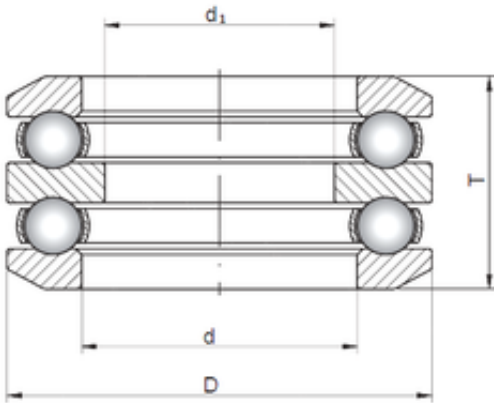




NACHI BEARINGS TRAINING INDUSTRY

ISO 54412 thrust ball bearings



Bearing No. 54412

Size	62x130x99 mm
Bore Diameter	62 mm
Outer Diameter	130 mm
Width	99 mm
d	62 mm
d_1	50 mm
D	130 mm
T	99 mm

54412 Bearing 2D drawings and 3D CAD models