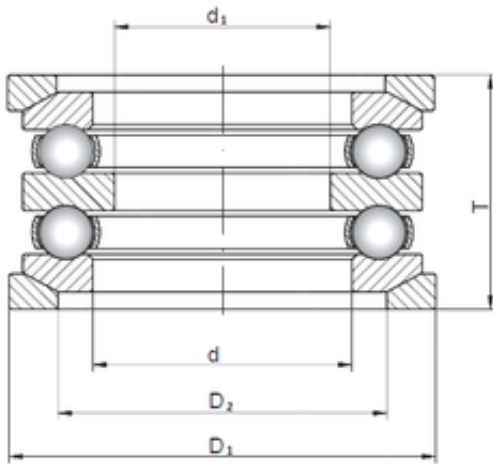




NACHI BEARINGS TRAINING INDUSTRY

ISO 54412U+U412 thrust ball bearings

Bearing No. 54412U+U412



Bore Diameter	62 mm
d	62 mm
d1	50 mm
D1	135 mm
D2	95 mm
T	107 mm

54412U+U412 Bearing 2D drawings and 3D CAD models