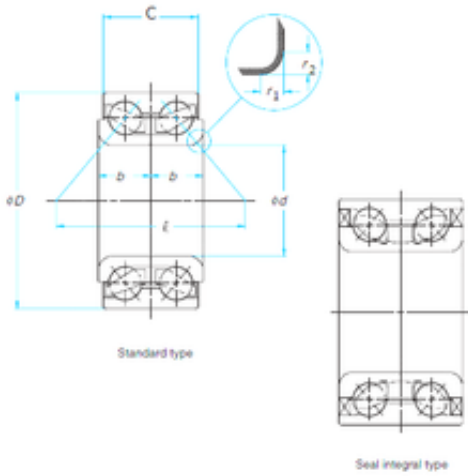




NACHI BEARINGS TRAINING INDUSTRY



40 mm x 80 mm x 30,2 mm ISO DAC40800302
angular contact ball bearings

Bearing No. DAC40800302

Size	40x80x30.2 mm
Bore Diameter	40 mm
Outer Diameter	80 mm
Width	30,2 mm
d	40 mm
D	80 mm
B	30,2 mm
C	30,2 mm

DAC40800302 Bearing 2D drawings and 3D CAD models