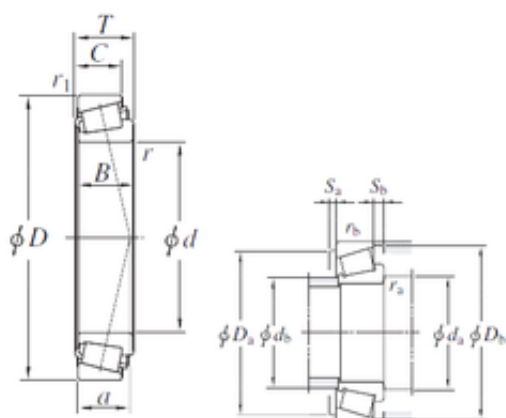




NACHI BEARINGS TRAINING INDUSTRY

177,8 mm x 320,675 mm x 85,725 mm KOYO
EE222070/222128 tapered roller bearings

Bearing No. EE222070/222128



EE222070/222128 Bearing 2D drawings and 3D CAD models

Size	177.8x320.675x88.9 mm
Bore Diameter	177,8 mm
Outer Diameter	320,675 mm
Width	88,9 mm
d	177,8 mm
D	320,675 mm
T	88,9 mm
B	85,725 mm
C	65,088 mm
a	72,9 mm
r min.	3,6 mm
r1 min.	4,8 mm
da min.	190 mm
Da min	280 mm
Da max.	306 mm
db max.	216 mm
ra max.	3,6 mm
rb max.	4,8 mm
Db	297 mm
Weight	28,2 Kg
Basic dynamic load rating (C)	747 kN
Basic static load rating (C0)	1220 kN
Calculation factor (e)	0,4
Calculation factor (Y0)	0,82