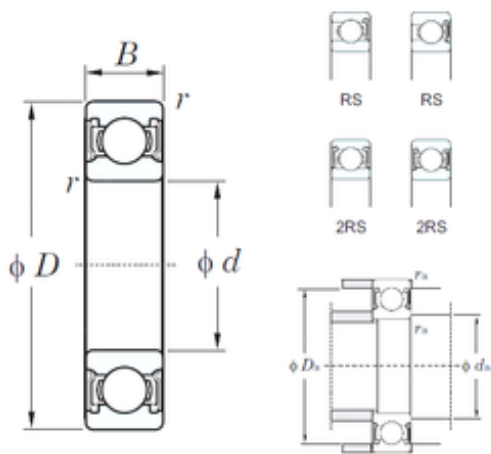




NACHI BEARINGS TRAINING INDUSTRY



55 mm x 100 mm x 21 mm KOYO 6211-2RS
deep groove ball bearings

Bearing No. 6211-2RS

Size	55x100x21 mm
Bore Diameter	55 mm
Outer Diameter	100 mm
Width	21 mm
d	55 mm
D	100 mm
B	21 mm
C	21 mm
r min.	1,5 mm
da min.	63 mm
da max	66 mm
Da max.	92 mm
ra max.	1,5 mm
Weight	0,607 Kg
Basic dynamic load rating (C)	43,4 kN
Basic static load rating (C0)	29,4 kN
(Grease) Lubrication Speed	4100 r/min

6211-2RS Bearing 2D drawings and 3D CAD models