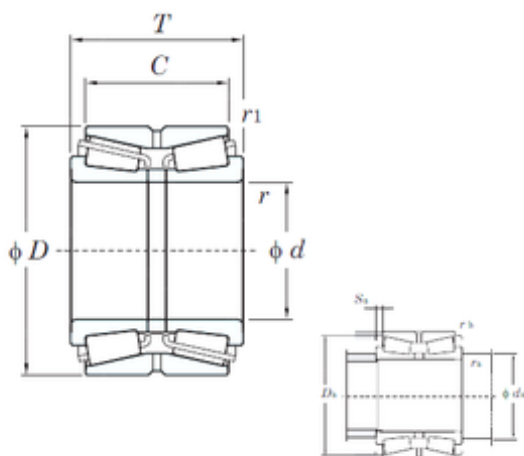




NACHI BEARINGS TRAINING INDUSTRY



KOYO 46T30314DJR/57 tapered roller bearings

Bearing No. 46T30314DJR/57

Size	70x150x83 mm
Bore Diameter	70 mm
Outer Diameter	150 mm
Width	83 mm
d	70 mm
D	150 mm
T	83 mm
C	57 mm
r min.	2,5 mm
r1 min.	1 mm
da min.	84 mm
Da min	142 mm
ra max.	2,5 mm
rb max.	1 mm
Weight	6,48 Kg
Basic dynamic load rating (C)	338 kN
Basic static load rating (C0)	470 kN
(Grease) Lubrication Speed	1800 r/min
(Oil) Lubrication Speed	2500 r/min
Calculation factor (e)	0,83
Calculation factor (Y0)	0,8
Bearing No.	46T30314DJR/57
r(min)	2.5
r1(min)	1
Cr	421
C0r	470

46T30314DJR/57 Bearing 2D drawings and 3D CAD models



NACHI BEARINGS TRAINING INDUSTRY

Cu	34.9
Grease lub.	1800
Oil lub.	2500
da(min)	84
Da(min)	144.5
Sa(min)	13
ra(max)	2.5
rb(max)	1
e	0.83
Y2	0.82
Y3	1.22
Y0	0.8
(Refer.)Mass(kg)	6.48