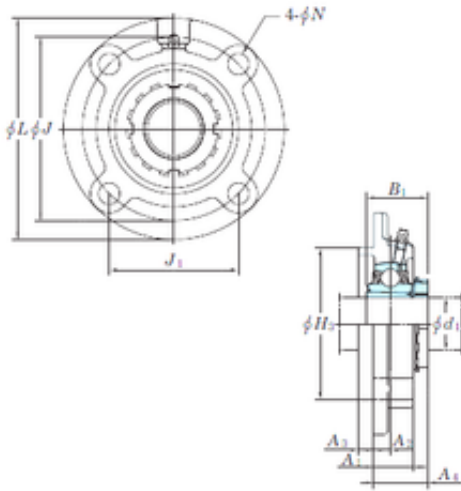




NACHI BEARINGS TRAINING INDUSTRY



UKFCX12 Bearing 2D drawings and 3D CAD models

KOYO UKFCX12 bearing units

Bearing No. UKFCX12

Bore Diameter	55 mm
d	55 mm
H3	140 mm
A4	42 mm
A1	33 mm
B1	62 mm
J	165 mm
L	194 mm
N	16 mm
Bolt (G)	M14
A2	11 mm
A3	20 mm
J1	116,7 mm
Weight	5,1 Kg
Basic dynamic load rating (C)	57,2 kN
Basic static load rating (C0)	40,1 kN