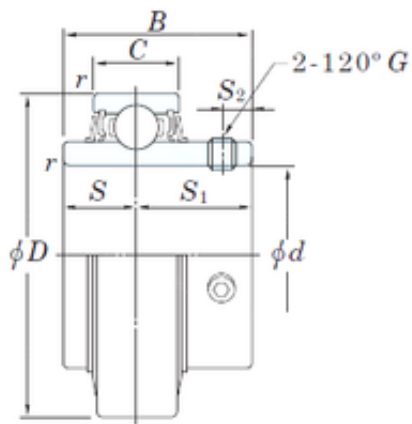




# NACHI BEARINGS TRAINING INDUSTRY



15,875 mm x 47 mm x 31 mm KOYO RB202-10 deep groove ball bearings

Bearing No. RB202-10

Size	15.875x47x31 mm
Bore Diameter	15,875 mm
Outer Diameter	47 mm
Width	31 mm
d	15,875 mm
D	47 mm
B	31 mm
C	16 mm
S1	18,3 mm
r min.	0,6 mm
D2	52,5 mm
S	12,7 mm
S2	5 mm
Thread (G) - 1/4-28UNF	1/428UNF
Weight	0,25 Kg
Basic dynamic load rating (C)	12,8 kN
Basic static load rating (C0)	6,65 kN

RB202-10 Bearing 2D drawings and 3D CAD models