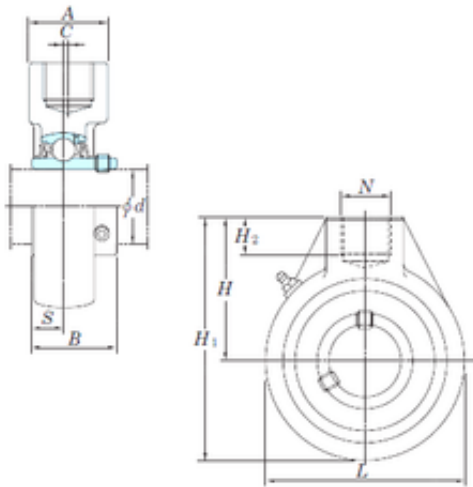




NACHI BEARINGS TRAINING INDUSTRY



KOYO UCHA205 bearing units

Bearing No. UCHA205

Bore Diameter	25 mm
Width	34,1 mm
d	25 mm
A	40 mm
B	34,1 mm
H	64 mm
H1	103 mm
H2	19 mm
L	78 mm
S	14,3 mm
Bolt (G)	PF 3/4
Weight	0,87 Kg
Basic dynamic load rating (C)	14 kN
Basic static load rating (C0)	7,85 kN

UCHA205 Bearing 2D drawings and 3D CAD models