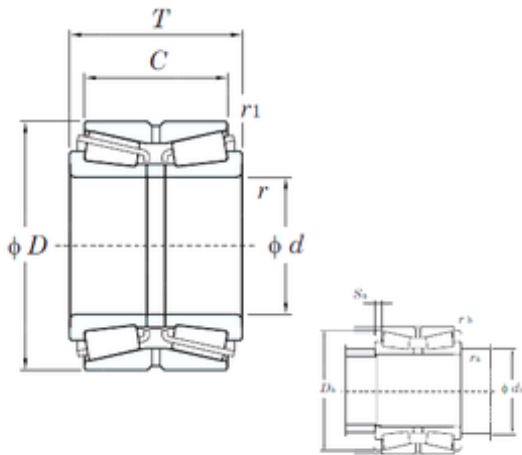




NACHI BEARINGS TRAINING INDUSTRY



KOYO 463/500A tapered roller bearings

Bearing No. 463/500A

Size	500x830x330 mm
Bore Diameter	500 mm
Outer Diameter	830 mm
Width	330 mm
d	500 mm
D	830 mm
T	330 mm
C	264 mm
r min.	7,5 mm
r1 min.	4 mm
da min.	536 mm
Da min	784 mm
ra max.	6 mm
rb max.	3 mm
Weight	669 Kg
Basic dynamic load rating (C)	6780 kN
Basic static load rating (C0)	14000 kN
(Grease) Lubrication Speed	210 r/min
(Oil) Lubrication Speed	280 r/min
Calculation factor (e)	0,39
Calculation factor (Y0)	1,7
Bearing No.	463/500A
r(min)	7.5
r1(min)	4
Cr	8510
C0r	14000

463/500A Bearing 2D drawings and 3D CAD models



NACHI BEARINGS TRAINING INDUSTRY

Cu	586
Grease lub.	210
Oil lub.	280
da(min)	536
Da(min)	812
Sa(min)	33
ra(max)	6
rb(max)	3
e	0.39
Y2	1.74
Y3	2.59
Y0	1.70
(Refer.)Mass(kg)	669