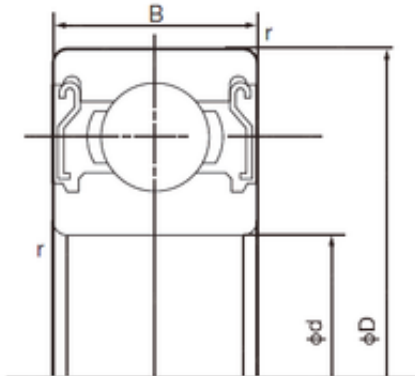




NACHI BEARINGS TRAINING INDUSTRY

105 mm x 160 mm x 26 mm NACHI 6021ZZ
deep groove ball bearings



Bearing No. 6021ZZ

6021ZZ Bearing 2D drawings and 3D CAD models

Size	105x160x26 mm
Bore Diameter	105 mm
Outer Diameter	160 mm
Width	26 mm
d	105 mm
D	160 mm
B	26 mm
C	26 mm
r min.	2 mm
da min.	113 mm
Da max.	152 mm
ra max.	2.0 mm
Weight	1.60 Kg
Basic dynamic load rating (C)	72,5 kN
Basic static load rating (C0)	65,5 kN
Category	Single Row Ball Bearings
Inventory	0.0
Manufacturer Name	NACHI
Minimum Buy Quantity	N/A
Weight / Kilogram	0
Product Group	B00308
Enclosure	2 Metal Shields
Precision Class	ABEC 1 ISO P0
Maximum Capacity / Filling Slot	No



NACHI BEARINGS TRAINING INDUSTRY

Rolling Element	Ball Bearing
Snap Ring	No
Internal Special Features	No
Cage Material	Steel
Internal Clearance	C0-Medium
Inch - Metric	Metric
Long Description	105MM Bore; 160MM Outside Diameter; 26MM Outer Race Width; 2 Metal Shields; Ball Bearing; ABEC 1 ISO P0; No Filling Slot; No Snap Ring; No Internal Special Features; C0-Medium Internal Clearance; St
Other Features	Deep Groove
Category	Single Row Ball Bearing
UNSPSC	31171504
Harmonized Tariff Code	8482.10.50.68
Noun	Bearing
Keyword String	Ball
Manufacturer URL	http://www.nachi-america.com
Inner Race Width	0 Inch 0 Millimeter
Outer Race Width	1.024 Inch 26 Millimeter
Bore	4.134 Inch 105 Millimeter
Outside Diameter	6.299 Inch 160 Millimeter
Bore Type	Cylindrical Bore
Configuration	Single Row
Bore Size	105 mm
Width	26 mm
Fillet Radius/Chamfer	2 mm
Dynamic Load Rating	72,500 N
Static Load Rating	65,500 N
Limiting Speed - Grease	4,000 rpm



NACHI BEARINGS TRAINING INDUSTRY

Factor f_0	15.8
Radial Clearance	0.015 to 0.041 mm
d_a (min)	113 mm
D_a (max)	152 mm
r_a (max)	2 mm