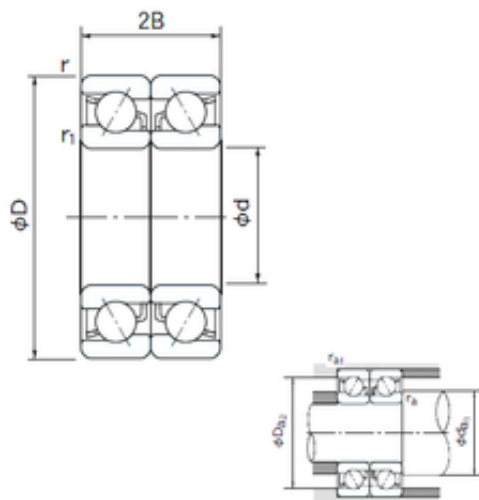




NACHI BEARINGS TRAINING INDUSTRY



170 mm x 310 mm x 52 mm NACHI 7234BDB
angular contact ball bearings

Bearing No. 7234BDB

7234BDB Bearing 2D drawings and 3D CAD models

Size	170x310x52 mm
Bore Diameter	170 mm
Outer Diameter	310 mm
Width	52 mm
d	170 mm
D	310 mm
B	52 mm
C	52 mm
Angle (°)	40 °
a	74.7 mm
r min.	4 mm
r1 min.	1.5 mm
2B	104 mm
da min.	179 mm
Da max.	301 mm
ra max.	1.5 mm
Weight	17.4 Kg
Basic dynamic load rating (C)	410 kN
Basic static load rating (C0)	620 kN
(Grease) Lubrication Speed	1300 r/min
Bore Type	Cylindrical Bore
Enclosure	Open
Configuration	Duplex
Bore Size	170 mm
Outside Diameter	310 mm



NACHI BEARINGS TRAINING INDUSTRY

Width	52 mm
Fillet Radius/Chamfer	4 mm
r1	1.5 mm
Dynamic Load Rating	410,000 N
Static Load Rating	620,000 N
Limiting Speed - Grease	1,300 rpm
Limiting Speed - Oil	1,700 rpm
da1 (min)	188 mm
da2 (min)	179 mm
Da1 (max)	292 mm
Da2 (max)	301 mm
ra (max)	3 mm
ra1 (max)	1.5 mm