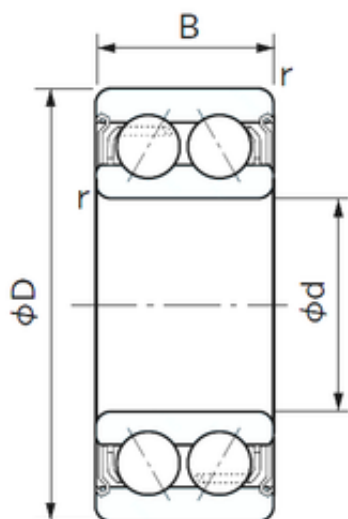




NACHI BEARINGS TRAINING INDUSTRY



10 mm x 30 mm x 14.3 mm NACHI 5200AZZ
angular contact ball bearings

Bearing No. 5200AZZ

5200AZZ Bearing 2D drawings and 3D CAD models

Size	10x30x14.3 mm
Bore Diameter	10 mm
Outer Diameter	30 mm
Width	14.3 mm
d	10 mm
D	30 mm
B	14.3 mm
C	14.3 mm
r min.	0.6 mm
Weight	0.050 Kg
Basic dynamic load rating (C)	6,95 kN
Basic static load rating (C0)	3,8 kN
(Grease) Lubrication Speed	16000 r/min
Enclosure	Double Shield
Configuration	Double Row
Bore Type	Cylindrical Bore
Bore Size	10 mm
Outside Diameter	30 mm
Width	14.3 mm
Fillet Radius/Chamfer	0.6 mm
Dynamic Load Rating	6,950 N
Static Load Rating	3,800 N
Limiting Speed - Oil	16,000 rpm
Radial Clearance	0.002 to 0.013 mm
da	15 mm



NACHI BEARINGS TRAINING INDUSTRY

Da	25 mm
ra	0.6 mm