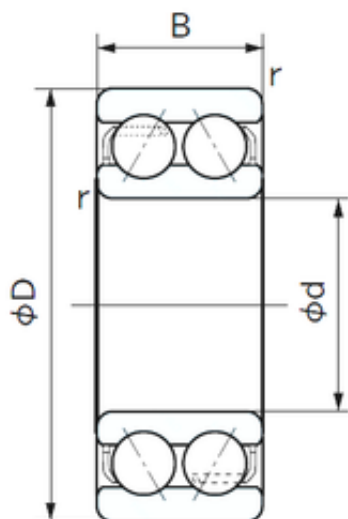




NACHI BEARINGS TRAINING INDUSTRY



85 mm x 150 mm x 49.2 mm NACHI 5217A
angular contact ball bearings

Bearing No. 5217A

Size	85x150x49.2 mm
Bore Diameter	85 mm
Outer Diameter	150 mm
Width	49.2 mm
d	85 mm
D	150 mm
B	49.2 mm
C	49.2 mm
Angle (°)	20 °
r min.	2 mm
Weight	3.40 Kg
Basic dynamic load rating (C)	105 kN
Basic static load rating (C0)	96,5 kN
(Grease) Lubrication Speed	2600 r/min
Enclosure	Open
Configuration	Double Row
Bore Type	Cylindrical Bore
Bore Size	85 mm
Outside Diameter	150 mm
Width	49.2 mm
Fillet Radius/Chamfer	2 mm
Dynamic Load Rating	105,000 N
Static Load Rating	96,500 N
Limiting Speed - Grease	2,600 rpm
Limiting Speed - Oil	3,800 rpm

5217A Bearing 2D drawings and 3D CAD models



NACHI BEARINGS TRAINING INDUSTRY

Radial Clearance	0.012 to 0.036 mm
da	95 mm140 mm
Dx	162 mm
ra	2 mm
Cy	7.4 mm