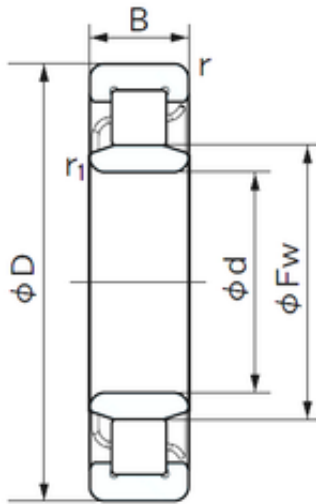




NACHI BEARINGS TRAINING INDUSTRY



75 mm x 130 mm x 25 mm NACHI NU 215 cylindrical roller bearings

Bearing No. NU 215

Size	75x130x25 mm
Bore Diameter	75 mm
Outer Diameter	130 mm
Width	25 mm
d	75 mm
Fw	88.5 mm
D	130 mm
B	25 mm
r min.	1.5 mm
r1 min.	1.5 mm
Weight	1.24 Kg
Basic dynamic load rating (C)	96 kN
Basic static load rating (C0)	111 kN
(Grease) Lubrication Speed	4800 r/min

NU 215 Bearing 2D drawings and 3D CAD models