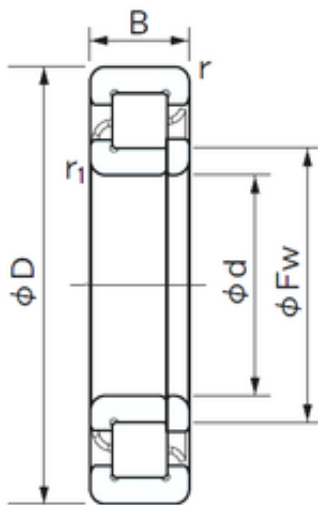




NACHI BEARINGS TRAINING INDUSTRY



50 mm x 110 mm x 27 mm NACHI NUP 310 cylindrical roller bearings

Bearing No. NUP 310

Size	50x110x27 mm
Bore Diameter	50 mm
Outer Diameter	110 mm
Width	27 mm
d	50 mm
Fw	65 mm
D	110 mm
B	27 mm
r min.	2 mm
r1 min.	2 mm
Weight	1.17 Kg
Basic dynamic load rating (C)	86,5 kN
Basic static load rating (C0)	86 kN
(Grease) Lubrication Speed	5600 r/min

NUP 310 Bearing 2D drawings and 3D CAD models