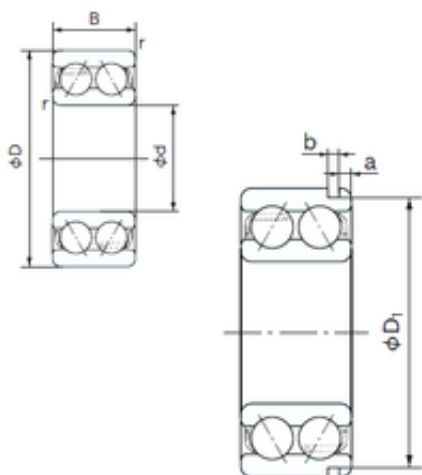




NACHI BEARINGS TRAINING INDUSTRY



50 mm x 90 mm x 30.2 mm NACHI 5210N
angular contact ball bearings

Bearing No. 5210N

Size	50x90x30.2 mm
Bore Diameter	50 mm
Outer Diameter	90 mm
Width	30.2 mm
d	50 mm
D	90 mm
B	30.2 mm
C	30.2 mm
a	3.28 mm
b	2.7 mm
r min.	1.1 mm
D1	86.79 mm
Weight	0.670 Kg
Basic dynamic load rating (C)	54,5 kN
Basic static load rating (C0)	44,5 kN
(Grease) Lubrication Speed	5000 r/min
Bore Type	Cylindrical Bore
Enclosure	Open
Configuration	Double Row
Bore Size	50 mm
Outside Diameter	90 mm
Width	30.2 mm
Fillet Radius/Chamfer	1.1 mm
Groove Width	2.7 mm
Groove Diameter	86.8 mm

5210N Bearing 2D drawings and 3D CAD models



NACHI BEARINGS TRAINING INDUSTRY

a (max)	3.3 mm
Dynamic Load Rating	54,500 N
Static Load Rating	44,500 N
Limiting Speed - Grease	5,000 rpm
Limiting Speed - Oil	6,700 rpm
Radial Clearance	0.006 to 0.023 mm
da	57 mm
Da	83 mm
Dx	98 mm
ra	1 mm
Cy	5.4 mm