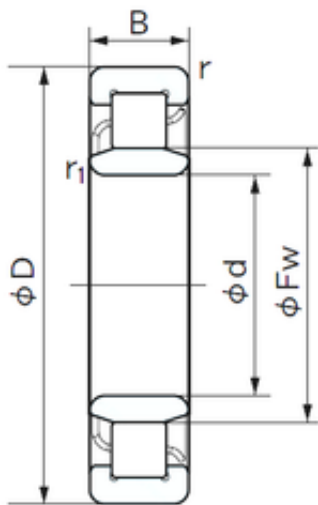




# NACHI BEARINGS TRAINING INDUSTRY



25 mm x 62 mm x 24 mm NACHI NU 2305  
cylindrical roller bearings

Bearing No. NU 2305

Size	25x62x24 mm
Bore Diameter	25 mm
Outer Diameter	62 mm
Width	24 mm
d	25 mm
Fw	35 mm
D	62 mm
B	24 mm
r min.	1.1 mm
r1 min.	1.1 mm
Weight	0.340 Kg
Basic dynamic load rating (C)	42,5 kN
Basic static load rating (C0)	41 kN
(Grease) Lubrication Speed	9300 r/min

NU 2305 Bearing 2D drawings and 3D CAD models