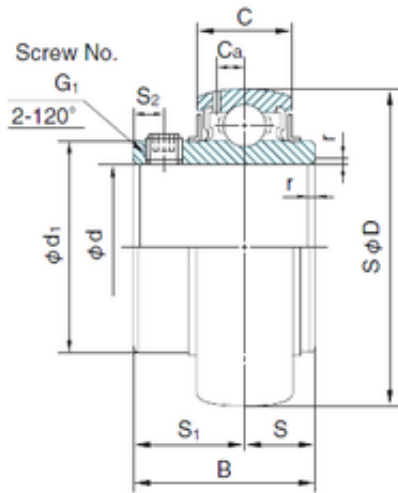




NACHI BEARINGS TRAINING INDUSTRY



90 mm x 160 mm x 96 mm NACHI UC218
deep groove ball bearings

Bearing No. UC218

Size	90x160x96 mm
Bore Diameter	90 mm
Outer Diameter	160 mm
Width	96 mm
d	90 mm
D	160 mm
B	96 mm
C	36 mm
S1	56.3 mm
Ca	11.1 mm
d1	111.5 mm
r	3 mm
S	39.7 mm
S2	15 mm
Thread (G)	M12 × 1.5
Weight	4.34 Kg
Basic dynamic load rating (C)	95,5 kN

UC218 Bearing 2D drawings and 3D CAD models