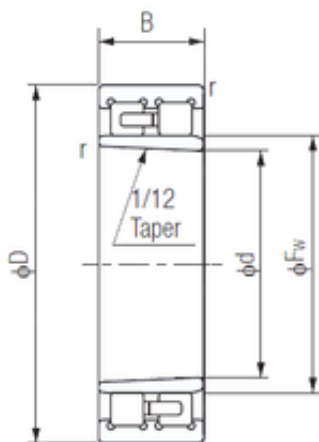




# NACHI BEARINGS TRAINING INDUSTRY



## 100 mm x 140 mm x 40 mm NACHI NNU4920K cylindrical roller bearings

Bearing No. NNU4920K

Size	100x140x40 mm
Bore Diameter	100 mm
Outer Diameter	140 mm
Width	40 mm
d	100 mm
Fw	113 mm
D	140 mm
B	40 mm
C	40 mm
r min.	1,1 mm
Weight	1,77 Kg
Basic dynamic load rating (C)	155 kN
Basic static load rating (C0)	305 kN
(Grease) Lubrication Speed	6300 r/min

NNU4920K Bearing 2D drawings and 3D CAD models