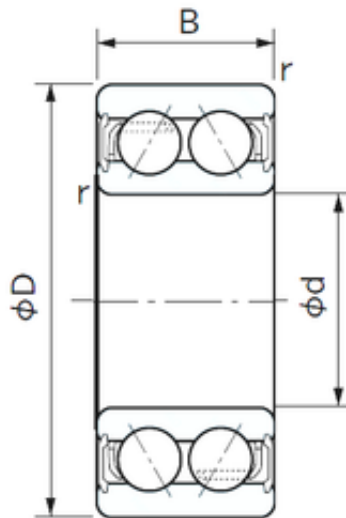




NACHI BEARINGS TRAINING INDUSTRY



45 mm x 85 mm x 30.2 mm NACHI 5209-2NS
angular contact ball bearings

Bearing No. 5209-2NS

5209-2NS Bearing 2D drawings and 3D CAD models

Size	45x85x30.2 mm
Bore Diameter	45 mm
Outer Diameter	85 mm
Width	30.2 mm
d	45 mm
D	85 mm
B	30.2 mm
C	30.2 mm
r min.	1.1 mm
Weight	0.620 Kg
Basic dynamic load rating (C)	42,5 kN
Basic static load rating (C0)	34,5 kN
Enclosure	Double Seal
Configuration	Double Row
Bore Type	Cylindrical Bore
Bore Size	45 mm
Outside Diameter	85 mm
Width	30.2 mm
Fillet Radius/Chamfer	1.1 mm
Dynamic Load Rating	42,500 N
Static Load Rating	34,500 N
Limiting Speed - Oil	5,500 rpm
Radial Clearance	0.006 to 0.023 mm
da	52 mm
Da	78 mm



NACHI BEARINGS TRAINING INDUSTRY

ra	1 mm
----	------