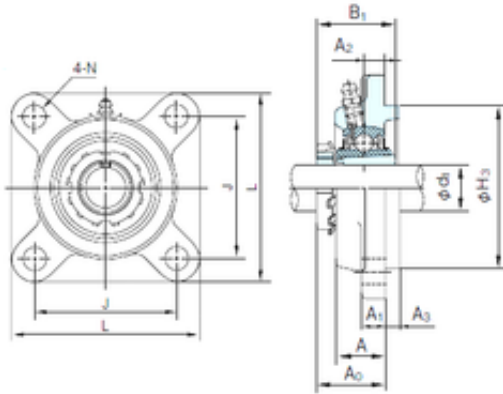




NACHI BEARINGS TRAINING INDUSTRY

NACHI UKFS307+H2307 bearing units



Bearing No. UKFS307+H2307

Bore Diameter	30 mm
d1	30 mm
H3	100 mm
A0	35.5 mm
A	27 mm
A1	16 mm
B1	43 mm
J	100 mm
L	135 mm
N	19 mm
Bolt (G)	M16
A2	11 mm
A3	9 mm

UKFS307+H2307 Bearing 2D drawings and 3D CAD models