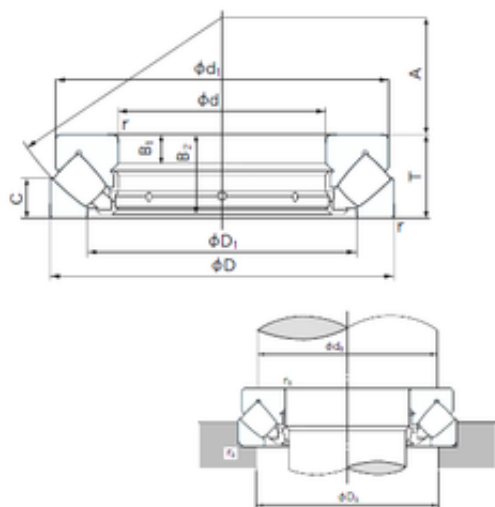




NACHI BEARINGS TRAINING INDUSTRY



190 mm x 320 mm x 27 mm NACHI 29338E thrust roller bearings

Bearing No. 29338E

Size	190x320x78 mm
Bore Diameter	190 mm
Outer Diameter	320 mm
Width	78 mm
d	190 mm
D	320 mm
T	78 mm
d1	308 mm
r min.	4 mm
A	110 mm
B1	27 mm
B2	74 mm
C	38 mm
D1	246 mm
da min.	250 mm
Da max.	275 mm
ra max.	3 mm
Weight	25.5 Kg
Basic dynamic load rating (C)	1170 kN
Basic static load rating (C0)	4550 kN
Bore Type	Cylindrical Bore
Enclosure	Open
Configuration	Single Row
Bore Size	190 mm
Outside Diameter	320 mm

29338E Bearing 2D drawings and 3D CAD models



NACHI BEARINGS TRAINING INDUSTRY

Fillet Radius/Chamfer	4 mm
Width	78 mm
Dynamic Load Rating	1,170,000 N
Static Load Rating	4,550,000 N
Limiting Speed - Oil	1,100 rpm
B	27 mm
da (min)	250 mm
Da (max)	275 mm
ra (max)	3 mm