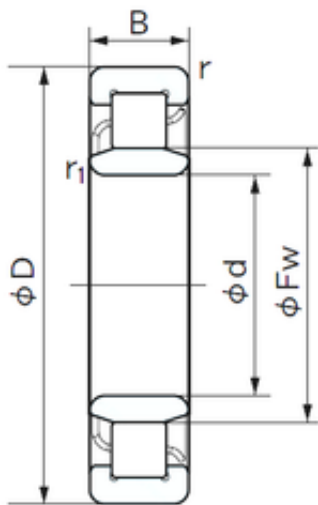




NACHI BEARINGS TRAINING INDUSTRY



180 mm x 380 mm x 75 mm NACHI NU 336 cylindrical roller bearings

Bearing No. NU 336

Size	180x380x75 mm
Bore Diameter	180 mm
Outer Diameter	380 mm
Width	75 mm
d	180 mm
Fw	232 mm
D	380 mm
B	75 mm
r min.	4 mm
r1 min.	4 mm
Weight	42.8 Kg
Basic dynamic load rating (C)	900 kN
Basic static load rating (C0)	1150 kN
(Grease) Lubrication Speed	1500 r/min

NU 336 Bearing 2D drawings and 3D CAD models