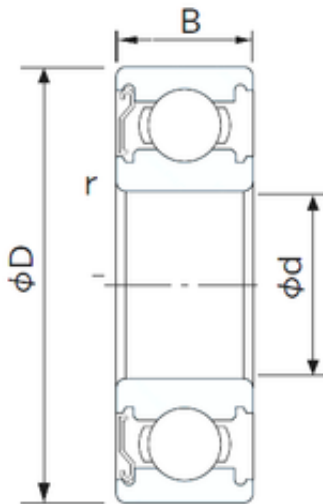




NACHI BEARINGS TRAINING INDUSTRY



95 mm x 170 mm x 32 mm NACHI 6219Z deep groove ball bearings

Bearing No. 6219Z

Size	95x170x32 mm
Bore Diameter	95 mm
Outer Diameter	170 mm
Width	32 mm
d	95 mm
D	170 mm
B	32 mm
C	32 mm
r min.	2.1 mm
da min.	107 mm
Da max.	158 mm
ra max.	2.0 mm
Weight	2.62 Kg
Basic dynamic load rating (C)	109 kN
Basic static load rating (C0)	81,5 kN
(Grease) Lubrication Speed	3700 r/min

6219Z Bearing 2D drawings and 3D CAD models